



WORLD HEALTH ORGANIZATION
ORGANISATION MONDIALE DE LA SANTÉ

INDEXED

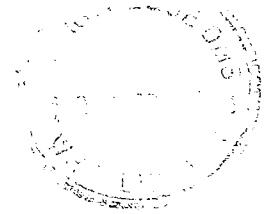


TABLE FOR HANDLING OF ANIMALS DURING SCARIFICATION AND HARVEST

Specifications

TABLE A

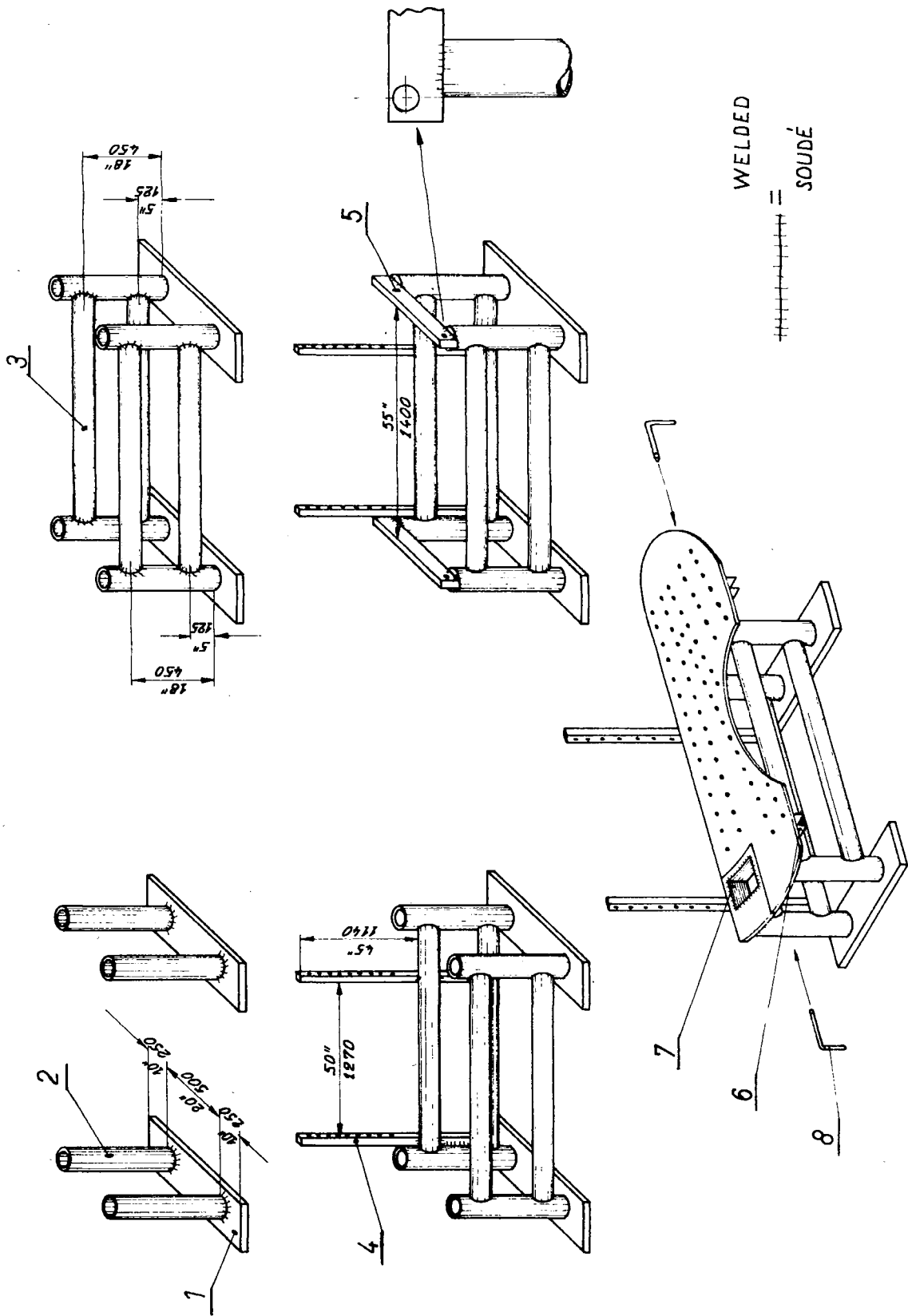
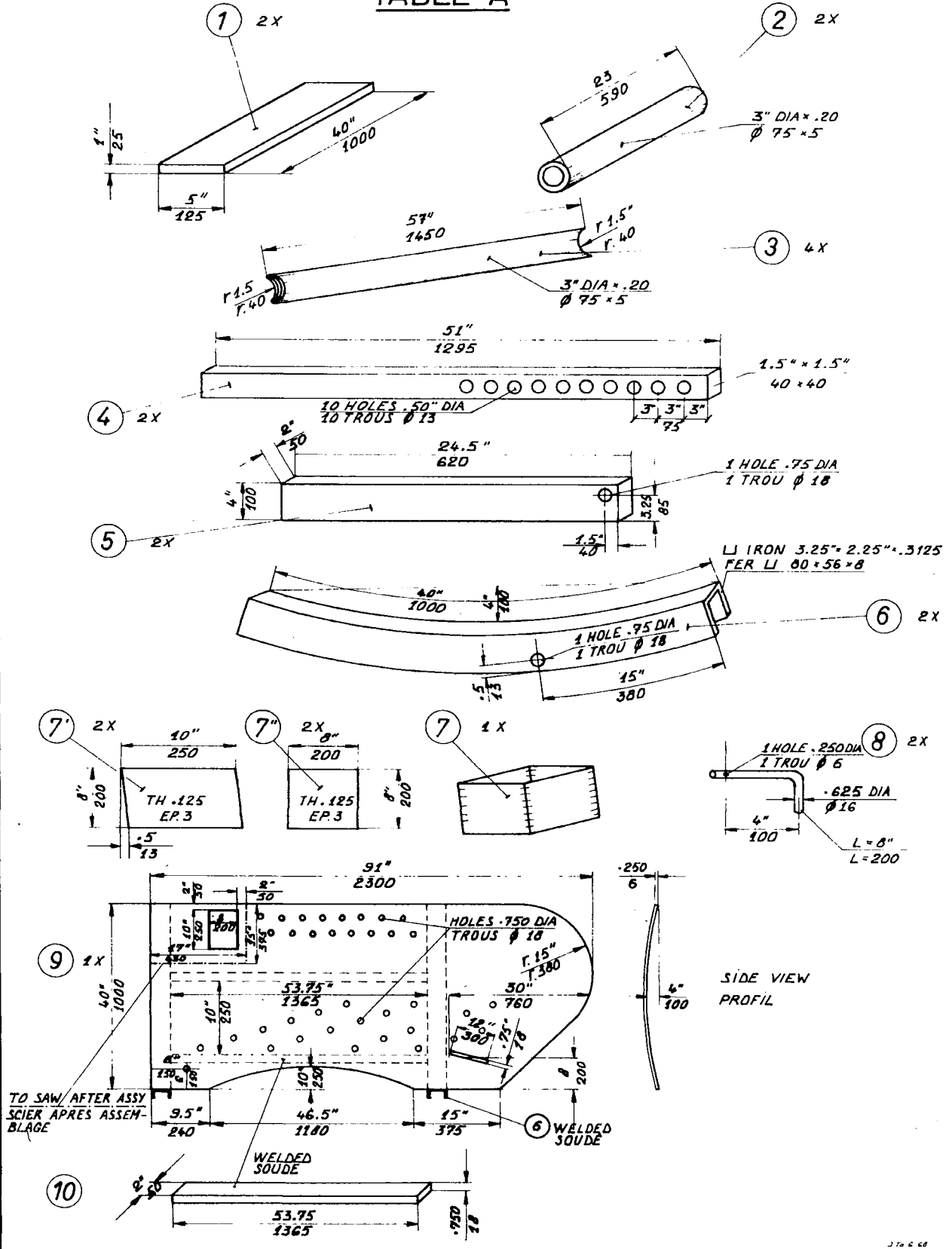


TABLE A



TABLES A-B

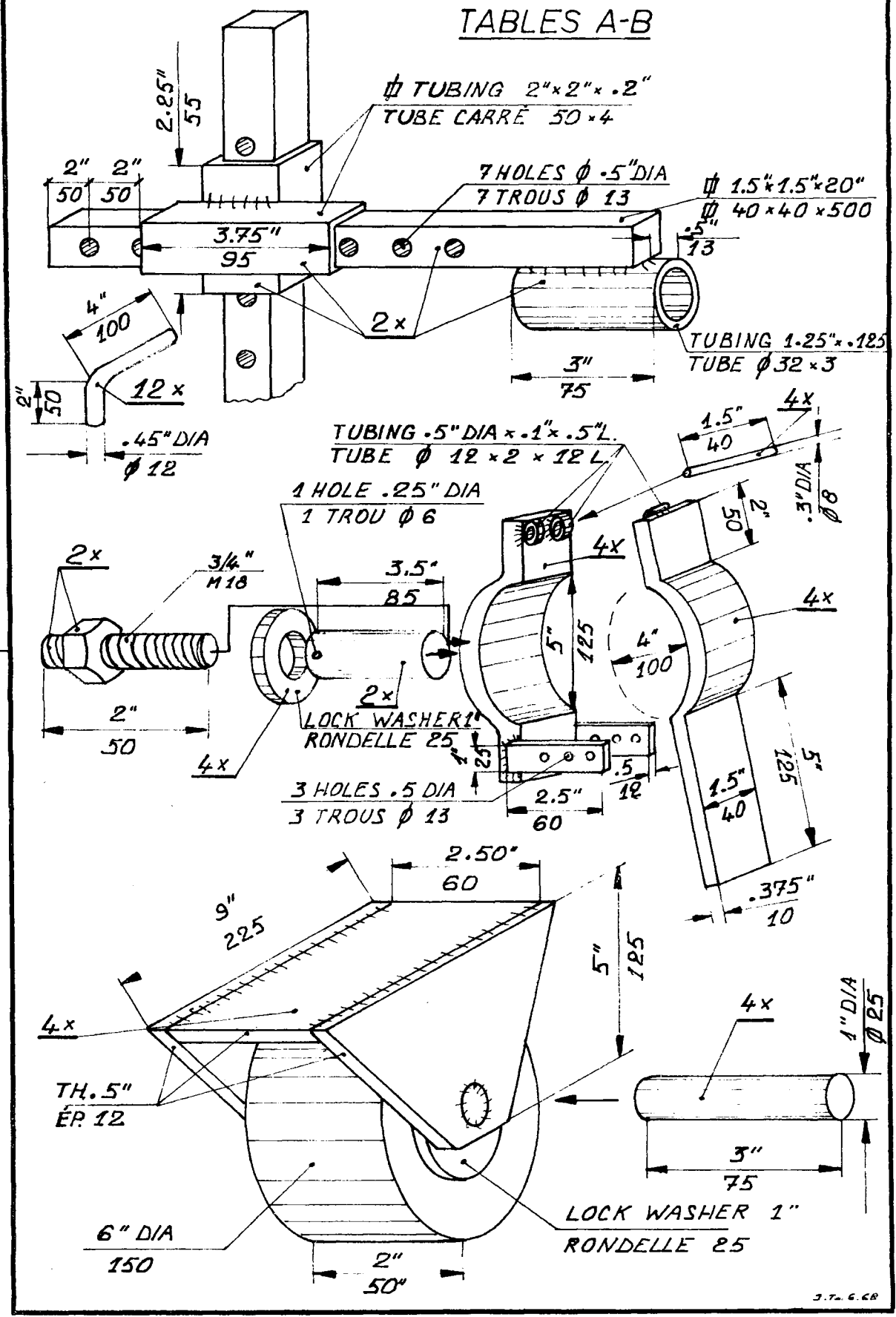


TABLE B

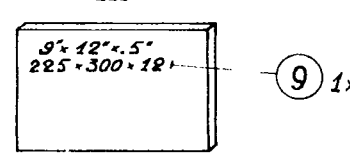
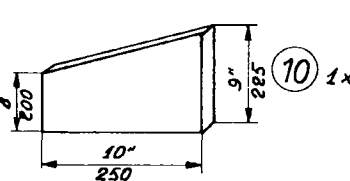
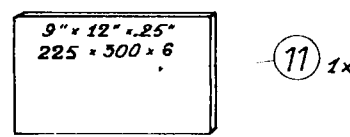
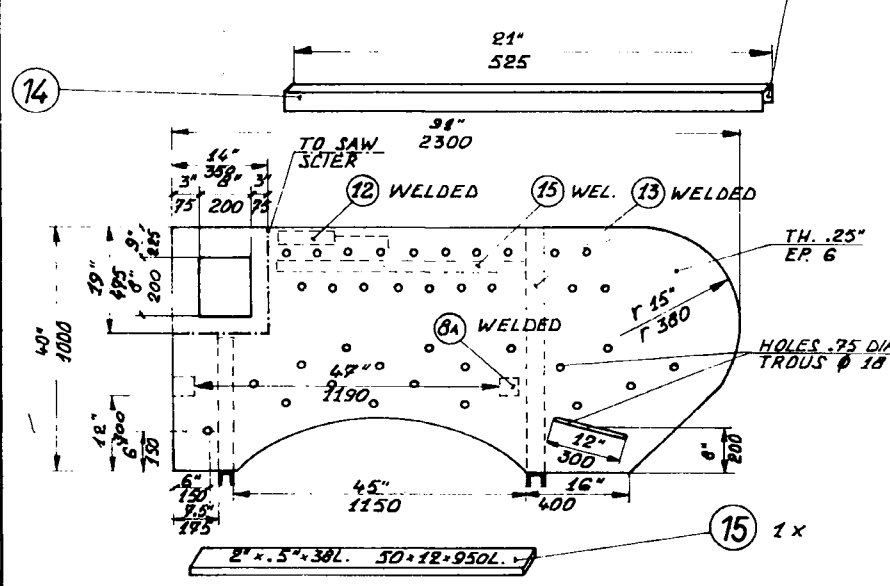
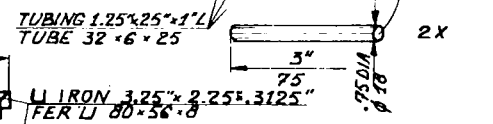
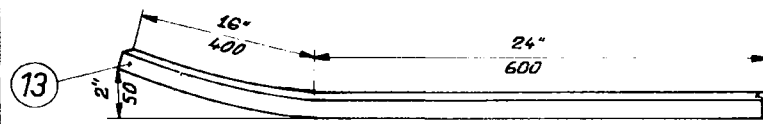
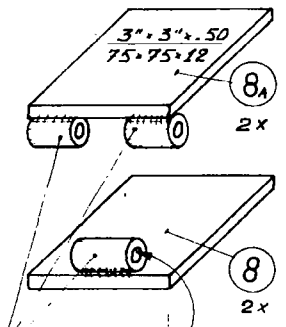
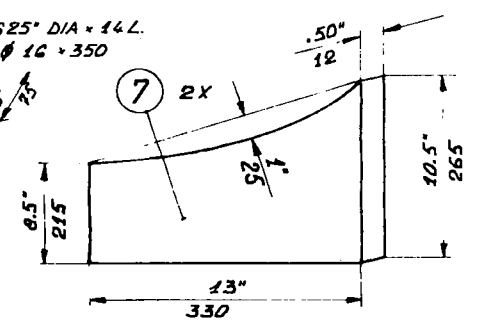
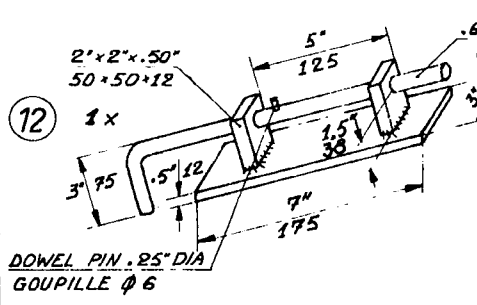
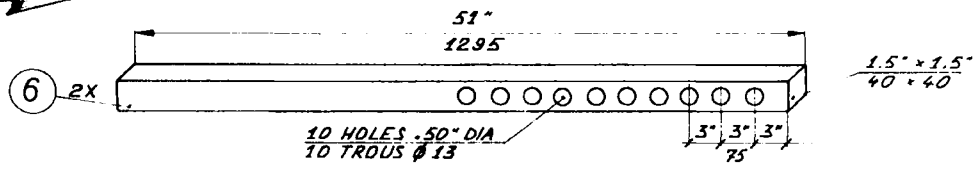
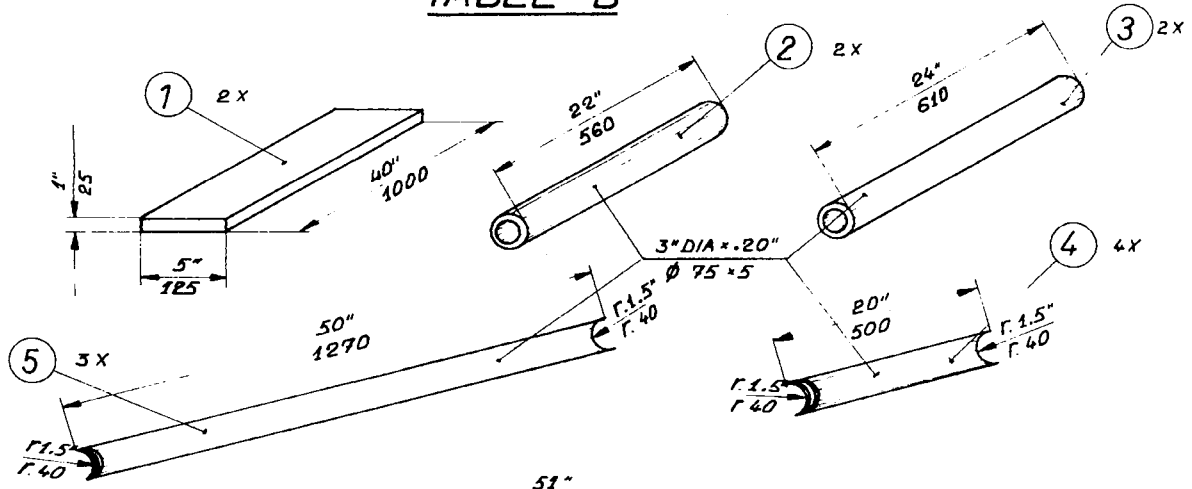


TABLE B

